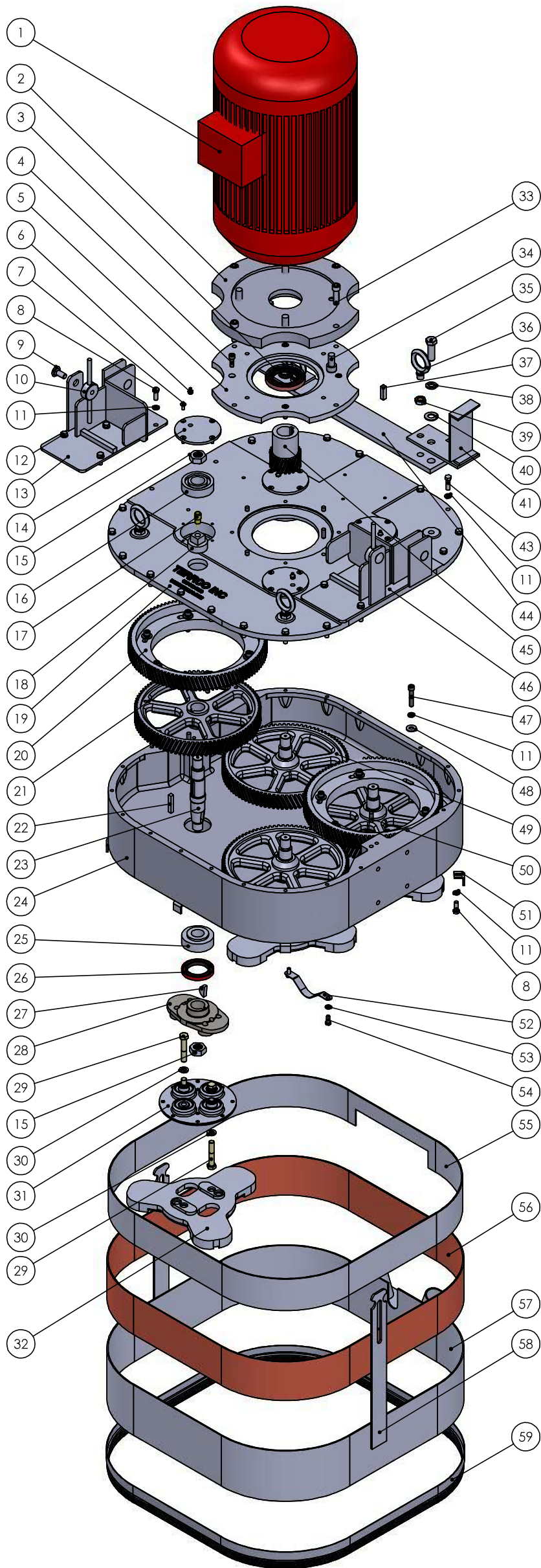


Model 3100-SP Parts List (Gear Case)



ITEM NO.	PART NUMBER	DESCRIPTION	QTY.
1	FE 146	25 HP, 230/460 V, 3 PH, 60 Hz	1
2	FE 130-3100-MTR	MOTOR MOUNTING PLATE - MOTOR	1
3	FE 249	GREASE SEAL, FOR MOUNTING RING	1
4	T2111	SOCKET HEAD CAPSCREW 3/8-16 X 1" LG	4
5	FE 130-CASE	MOTOR MOUNTING PLATE - CASE	1
6	000170	GREASE FITTING 1/8" NPT STRAIGHT	4
7	T3011	1/4-28 X 5/8 LG SOCKET FLAT HEAD	16
8	T2013	3/8-16 X 1" LG HEX HEAD CAPSCREW	11
9	FE 153	1/2-13 X 1-1/4" LG CARRIAGE BOLT	2
10	FEN 009	SPLASH GRD LOCK NUT ASSEMBLY	2
11	T1022	3/8 MEDIUM LOCKWASHER	46
12	T1097	3/8-16 X 1-3/4 LG HEX HEAD CAPSCREW	6
13	FE 297R	WEIGHT & LIFT BASKET - R	1
14	FE 027	BEARING CAP	4
15	T2008	STOP NUT 1"-14 JAM	8
16	SM 043, SM 037	UPPER BEARING CONE & CUP	4
17	DS 184	BREATHER CAP	1
18	X-100	1.5" NPT PIPE PLUG, SQUARE HEAD, GALVANIZED	1
19	FE 305	GEAR CASE COVER - 3100	1
20	FE 125B	DRIVE GEAR	2
21	FE 004B	HELICAL GEAR - R	2
22	FE 193	PINION KEY	4
23	SM 016	HELICAL GEAR SHAFT	4
24	FE 304	GEAR CASE - 3100	1
25	SM 036, SM 037	LOWER BEARING CONE & CUP	4
26	SM 169	GEAR SHAFT GREASE SEAL	4
27	T2012	WOODRUFF KEY	4
28	SM 500	DRIVING SPIDER	4
29	SM 171	MORFLEX COUPLING BOLT, ADV. J27B	16
30	T1012	1/2" LOCK WASHER MEDIUM	16
31	SM 088	COUPLING	4
32	SM 491A	SPEED SHIFT PLATE - 3100	4
	SM 192B	PLUG STONE HOLDER - 3100	
	SM 492	UNIVERSAL TOOL PLATE	
33	T3048	1/2-13 X 1-3/4" LG SOCKET HEAD CAPSCREW	4
34	T2165	5/8-11 X 1-1/4 LG SOCKET HEAD CAPSCREW	4
35	Z02-1485	CAPSCREW	2
36	X-16	LIFTING RING	4
37	SM 072	HELICAL GEAR KEY	1
38	T2140	LOCKWASHER	2
39	T3050	5/8-11 HEX JAM NUT	4
40	Z06-1116	WASHER	2
41	FE 298L	TILT STOP BRACKET - L	1
42	FE 298R	TILT STOP BRACKET - R	1
43	T1025	3/8-16 X 1-1/4 LG HEX HEAD CAPSCREW	17
44	FE 310	MOUNT, TILT STOP	1
45	FE 245	PINION, HIGH SPEED	1
	FE 005B	PINION 3100-3P	
46	FE 297L	WEIGHT & LIFT BASKET - L	1
47	T2099	3/8-16 X 2" LG SOCKET HEAD CAPSCREW	12
48	T3028	3/8 USS FLAT WASHER (WROUGHT)	12
49	SM 015L	HELICAL GEAR - L	2
50	FD 040	DOWEL PIN 3/8 X 1" LG	6
51	SM 028	DRIVING SPIDER GUARD BRACKET	7
52	SM 172	HOSE CLAMP	1
53	T1007	LOCK WASHER	2
54	T2130	5/16-18 X 3/4" LG HEX HEAD CAPSCREW	2
55	FE 479-SS	STAINLESS STEEL GUARD - STATIONARY	1
56	X-E353RB	RUBBER DUST SEAL, ADV. SUPER & 3100	1
57	FE 480-SS	STAINLESS STEEL GUARD - ADJUSTABLE	1
58	FE 029-SS	SPLASH GUARD ADJUSTABLE STRAP	2
59	LW 78(3100)	BRUSH STRIP, 3100	1

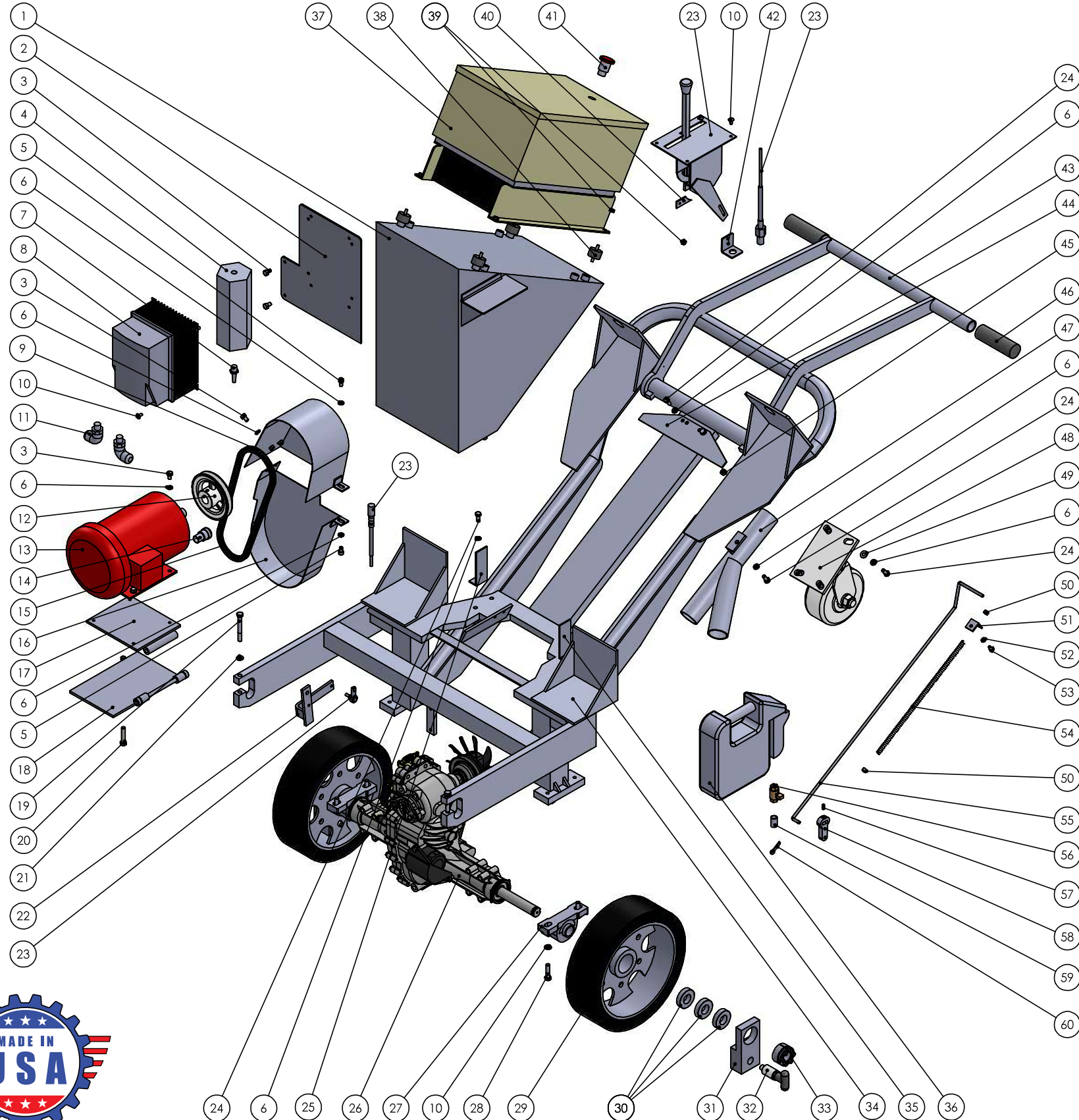


Terrco® Inc.
 222 1st Avenue NW • Watertown, SD 57201
 Phone: (605) 882-3888 • Fax: (605) 882-0778
 Website: www.terrco.com • Email: info@terrco.com





Model 3100-SP Parts List (Handlebar Assembly)



ITEM NO.	PART NUMBER	DESCRIPTION	QTY.
1	FE 342	WATER TANK- SELF PROPELLED	1
2	FE 345	WATER TANK BRACE- STAINLESS STEEL	1
3	T1033	5/16-18 X 1/2 HEX HEAD CAPSCREW	4
4	FE 289	EXPANSION TANK	1
5	T1111	5/16-18 X 1/2" SOCKET HEAD CAPSCREW	2
6	T1007	LOCK WASHER	17
7	T3047	HOSE BARB, STRAIGHT 1/4 NPT X 3/8	1
8	FE 350	2 HP VECTOR DRIVE 230 VOLT 1/3 PHASE	1
9	FE 474	UPPER BELT GUARD - SELF PROPELLED HANDLE	1
10	T2161	1/4-20X 1/2 LG SLOTTED TRUSS HEAD	6
11	X-80	90 DEGREE CORD CONNECTOR	3
12	FE 293	PULLEY 5" DIA, 7/8 BORE AND BUSHING	1
13	FE 292	MOTOR 2 HP, 3 PHASE	1
14	X-81	STRAIGHT CORD CONNECTOR	1
15	FE 358	V-BELT, 32"	1
16	FE 475	LOWER BELT GUARD - SELF PROPELLED HANDLE	1
17	FE 477	2HP MOTOR MOUNT - SELF PROPELLED	1
18	FE 345	STARTER MOUNT-SELF PROPELLED	1
19	T3053	3/8-16 X 3" LG HEX HEAD CAPSCREW	2
20	Z02-1360	3/8-16 X 1-3/4 LG TAP BOLT	1
21	T1022	3/8 MEDIUM LOCKWASHER	6
22	FE 476	CONTROL BRACKET ASSEMBLY - SELF PROPELLED	1
23	FE 307	CONTROL ASSEMBLY, TRANSAXLE	1
24	T2130	5/16-18 X 3/4" LG HEX HEAD CAPSCREW	9
25	FE 349L	SP WATER TANK BRACKET - STAINLESS STEEL - L	1
26	FE 357	TRANSAXLE 1" AXLE G7 SERIES	1
27	FE 354	1" PILLOW BLOCK	2
28	T2004	3/8-16 X 1-1/2 LG HEX HEAD CAPSCREW	4
29	FE 352	TIRE, 3100 & 6200 SELF PROPELLED	2
30	FE 356	BEARING	6
31	FE 353	WHEEL ENGAGE BLOCK	2
32	FE 291	PULL PIN, 6200 WHEEL	2
33	FE 355	1" KEYLESS LOCKING HUB	2
34	FE 272	LOWER WEIGHT BASKET	2
35	FE 349R	SP WATER TANK BRACKET - STAINLESS STEEL - R	1
36	FE 246	POCKET WEIGHT,CASTING,42lbs.	10
37	FE 492	YASKAWA 230 VOLT, 69 AMP, 25 HP	1
38	FE 251	VIBRATION MOUNT	4
39	T2003	HEX HEAD NUT 1/4-20	6
40	FE 472	SHIFTER BRACKET - 6200	1
41	LW 076	EMERGENCY STOP SWITCH ASSY	1
42	FE 482	SHIFTER GUIDE BRACKET	1
43	FEN 030	HANDLE WELDMENT, MODEL 3100 SELF PROPELLED	1
44	FE 074-SS	WATER TANK BRACE	1
45	T2025	5/16-18 HEX NUT	2
46	SM 057	HANDLE GRIP	2
47	SM 457	2" Y SECTION - DRY - R	1
48	HB 088B	CASTER	1
49	T3015	1/4" USS WROUGHT WASHER	4
50	SM 186	HANDLE SPACER COLLAR	2
51	FD 043	WATER GUIDE BRACKET	1
52	T1030	LOCK WASHER	1
53	T2122	1/4-20 X 1/2 LG HEX HEAD CAPSCREW	1
54	SM 182	HANDLE SPRING,COMPRESSION	1
55	FE 078A	WATER TANK ROD	1
56	SM 174	WATER TANK VALVE	1
57	T3007	1/4-20 X 1/2 LG SOCKET SET SCREW	1
58	SM 170X	LEVER,WATER VALVE FOR 7500	1
59	SM 175	VALVE STEM	1
60	T2082	COTTER PIN, 1/4 X 2 1/2	1

